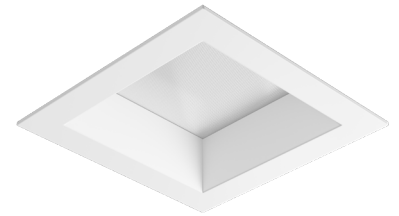


# ELEMENT™ 4" PRO SERIES LED FIXED DOWNLIGHT



SHOWN IN FLANGED SQUARE

The Element 4" Pro Series Fixed downlight introduces a budget-friendly, specification-grade downlight with wide-angle distribution for commercial applications. Engineered with a precision diffuser and Solite Soft Focus lens that eliminates hot spots, direct visibility into the housing, and delivers a clean aperture and ceiling aesthetic. The Element 4" Pro Series is offered in a variety of options, including multiple outputs, beam spreads and the choice of static white, warm dim or tunable white to meet any commercial requirements.

- Budget-friendly solution for commercial spaces
- High-output and wide-angle beam spreads engineered for large spaces
- 1-step static white, 2-step warm dim and tunable white
- High efficacy: >100 lumens per watt (reference specification chart for detail)
- Lutron/eldoLED options

### LUMEN MULTIPLIER (CRI/CCT)

CCT	80 CRI MULTIPLIER	90 CRI MULTIPLIER
2700K	0.95	0.80
3000K	1.00	0.85
3500K	1.05	0.90

Lumen output will vary by CCT and CRI. See photometric charts for output information.

### SPECIFICATIONS

HOUSING (RATING)	Wattage	STATIC WHITE		WARM DIM		TUNABLE WHITE	
		Lumens	Efficacy	Lumens	Efficacy	Lumens	Efficacy
E4PH (IC/NIC/CP) E4PEMH (NIC/CP)	7W	750	104	612	77	516	65
	12W	1200	103	919	77	774	65
	15W	1500	100	1302	77	1097	65
E4PH (IC/NIC/CP) E4NGEMH (NIC/CP)	19W	1900	99	1839	77	1548	65
E4NGH (IC/NIC/CP) E4NGEMH (NIC/CP)	27W	2550	94	2375	77	2000	65
E4NGH (NIC/CP) E4NGEMH (NIC/CP)	36W	3200	90	NA		NA	
<b>CRI</b>	80+, 90+		90+		90+		
<b>CCT</b>	2700K, 3000K, 3500K, or 4000K		3000K - 1800K		5000K - 2700K		
<b>COLOR CONSISTENCY</b>	1-step		2-step		2-step		
<b>VOLTAGE</b>	120V or 277V						
<b>DIMMING<sup>1</sup></b>	Standard reverse-phase, forward-phase, TRIAC, and 0-10V dimming down to 1% or 5%+ depending on wattage EldoLED 0-10V or DALI-2 down to 0.1% Lutron Hi-lume EcoSystem down to 0.1%					EldoLED 0-10V or DALI-2 down to 0.1%	
<b>POWER SUPPLY</b>	Constant current driver with ±9 power factor and +80% efficiency						
<b>BEAM SPREAD</b>	65°, 75°, 85°, or 95° Note: Optics are not field changeable						
<b>ADJUSTABILITY</b>	N/A						
<b>CEILING APPEARANCE</b>	Flanged, flangeless, or flangeless in wood ceiling						
<b>CEILING THICKNESS</b>	Flanged: Up to 2-1/2"   Flangeless: No ceiling thickness limitations   Flangeless in wood ceiling: No ceiling thickness limitations						
<b>CEILING APERTURE</b>	4-1/2" ceiling cutout						
<b>HOUSING</b>	IC Airtight, Non-IC Airtight, or Chicago Plenum. IC suitable up to R60 spray foam insulation.						
<b>CONSTRUCTION</b>	Housing: Heavy-gauge, cold-rolled steel   Trims: Die-cast aluminum						
<b>FINISH</b>	Housing: Black powder coat   Trim: Select finish options for bevel and flange separately: White, Black, or Haze Silver						
<b>GENERAL LISTINGS</b>	ETL Listed. Wet Location.						
<b>CALIFORNIA TITLE 24</b>	Registered CEC Appliance Database. Complies with CEC 2019 Title 24 Part 6 (JA8-2016, JA8-2019) (for 90 CRI versions).						
<b>L70</b>	50,000 hours min						
<b>WARRANTY<sup>2</sup></b>	5 years						

Data in chart reflects 3000K/80CRI values unless noted. Lumen values are delivered lumens, not source lumens. Custom output/custom RAL/custom CCT available, contact Quotes Department

Ordering grids available on page 2.

<sup>1</sup>See visualcomfort.com for dimmer compatibility.

<sup>2</sup>Visit visualcomfort.com for specific warranty limitations and details.

# ELEMENT™ 4" PRO SERIES LED FIXED DOWNLIGHT

## ORDERING GRIDS

### HOUSING

PRODUCT	CEILING APPEARANCE	OUTPUT	FUNCTION	HOUSING RATING	DRIVER	VOLTAGE
<b>E4PR</b> ELEMENT 4" PRO SERIES ROUND	<b>L</b> FLANGELESS	<b>-L07</b> 7W (750 LMS) <sup>2</sup>	<b>D</b> DOWNLIGHT GENERAL ILLUMINATION	<b>I</b> IC AIRTIGHT	<b>INTEGRATED DRIVERS 120W/277V</b>	120 VOLT (LEAVE BLANK)
<b>E4PS</b> ELEMENT 4" PRO SERIES SQUARE	<b>F</b> FLANGED <b>WC</b> WOOD CEILING <sup>1</sup>	<b>-L12</b> 12W (1200 LMS) <b>-L15</b> 15W (1500 LMS) <b>-L19</b> 19W (1900 LMS) <b>-L27</b> 27W (2550 LMS) <b>-L36</b> 36W (3200 LMS) <sup>3</sup>		<b>N</b> NON-IC AIRTIGHT <b>C</b> CHICAGO PLENUM <b>E</b> EMERGENCY BATTERY BACK-UP (NON-IC AIRTIGHT/CHICAGO PLENUM) <sup>4</sup>	UNIVERSAL PHASE/0-10V 1% (LEAVE BLANK) <sup>5</sup> ELDOLED 0.1% 0-10V LINEAR ELDOLED 0.1% 0-10V LOGARITHMIC ELDOLED 0.1% DALI-2 ELDOLED TUNABLE WHITE 0.1% 0-10V LINEAR 2-WIRE <sup>6</sup> ELDOLED TUNABLE WHITE 0.1% DALI-2 <sup>6</sup> LUTRON HI-LUME 0.1% ECOSYSTEM	<b>-2</b> 277 VOLT

- D

See driver and wattage housing compatibility chart below for information on IC and non-IC options.

Trims are required and must be ordered separately.

Hanger bars not included with smaller E4PH and E4PEMH housings. Order separately if required.

Output lists nominal wattage and lumens at 3000K/80CRI; actual wattage and lumens may vary slightly.

<sup>1</sup>WC - Wood ceiling accommodates flangeless trims only. For flanged trims in a wood ceiling use standard flanged housing.

<sup>2</sup>L07 - Dimming performance with standard universal phase/0-10V driver varies dramatically from <1% to >10% depending on the dimmer; please refer to dimmer compatibility chart.

<sup>3</sup>L36 - Output only available Non-IC/CP. Not available with WD31 warm dim or TW52 tunable white. Not available with HLECO driver.

<sup>4</sup>E - Emergency battery back-up available in smaller E4PEMH housing (above ceiling access required) only for L07, L12 and L15 output. Emergency battery back-up available in larger E4NGEMH housing only for L19, L27, and L36 output. For use with DEM trims only.

<sup>5</sup>Universal dimming is reverse-phase, forward-phase, TRIAC, and 0-10V. 277V is only compatible with 0-10V dimming. The standard universal phase/0-10V driver dims to 1% with L12 and L15, and to 5% with L07, L19, L27, and L36. Dimming performance varies by dimmer; please refer to dimmer compatibility chart.

<sup>6</sup>ELTO/ELTD - Tunable white TW52 available with ELTO (0-10V, linear) or ELTD (DALI-2) only. For 0-10V logarithmic dimming consult Quotes Department.

### TRIM/LIGHT MODULE

PRODUCT	CEILING APPEARANCE	STYLE	FUNCTION	CRI/CCT	BEAM SPREAD	BEVEL FINISH	FLANGE FINISH
<b>E4PR</b> ELEMENT 4" PRO SERIES ROUND	<b>L</b> FLANGELESS	<b>R</b> REGRESS (1.0")	<b>D</b> DOWNLIGHT GENERAL ILLUMINATION	<b>-830</b> 80 CRI, 3000K, 1-STEP <b>-835</b> 80 CRI, 3500K, 1-STEP <b>-840</b> 80 CRI, 4000K, 1-STEP <b>-927</b> 90 CRI, 2700K, 1-STEP <b>-930</b> 90 CRI, 3000K, 1-STEP <b>-935</b> 90 CRI, 3500K, 1-STEP <b>-940</b> 90 CRI, 4000K, 1-STEP <b>-WD31</b> 90 CRI, 3000K-1800K, WARM DIM, 2-STEP <sup>2</sup> <b>-TW52</b> 90 CRI, 5000K-2700K, TUNABLE WHITE, 2-STEP <sup>3</sup>	<b>6</b> 65° DIFFUSER WITH SOLITE <b>7</b> 75° DIFFUSER WITH SOLITE <b>8</b> 85° DIFFUSER WITH SOLITE <b>9</b> 95°+ DIFFUSER WITH SOLITE	<b>-W</b> WHITE <b>-B</b> BLACK <b>-HS</b> HAZE SILVER	FLANGELESS ONLY (LEAVE BLANK) <b>W</b> WHITE <b>B</b> BLACK
<b>E4PS</b> ELEMENT 4" PRO SERIES SQUARE	<b>F</b> FLANGED <b>F15</b> FLANGED 1.1"-1.5" CEILING THICKNESS <b>F20</b> FLANGED 1.6"-2.0" CEILING THICKNESS <b>F25</b> FLANGED 2.1"-2.5" CEILING THICKNESS		<b>DEM</b> DOWNLIGHT GENERAL ILLUM, EM <sup>1</sup>				

R -

<sup>1</sup>DEM - Downlight general illumination EM trim has test switch integrated into bevel portion of trim. For use with E4PEMH and E4NGEMH housings only.

<sup>2</sup>WD31 - Warm dim not available with HLECO for L07, L19, L27, and L36 outputs.

<sup>3</sup>TW52 - Tunable white for use with ELTO (0-10V, linear) or ELTD (DALI-2) housings only. For 0-10V logarithmic dimming or TW41 4000K-1800K consult Quotes Department. Not available for L36 output.

### HANGER BARS

PRODUCT	STYLE
<b>HNGBAR</b> HANGER BAR SET	<b>-S</b> STANDARD <b>-P</b> PREMIUM <sup>1</sup>
<b>HNGBAR</b>	-

Order one set per fixture if required.

Hanger bars can be extended from 14" to 24" unless otherwise noted.

<sup>1</sup>P - Premium hanger bar set has a standard extended length from 10"-24".

To extend to 36", order two sets per fixture and join together.

To extend to 48", order three sets per fixture and join together.

### PLASTER PLATES

PRODUCT
<b>150E4RPPLT</b> ROUND PLASTER PLATE SQUARE PLASTER PLATE
<b>150E4SPPLT</b> SQUARE PLASTER PLATE

Plaster plates are used to convert flanged housings into flangeless housings.

Ships standard with flangeless housings.

### DRIVER AND WATTAGE HOUSING COMPATIBILITY CHART

ITEM NUMBER	DESCRIPTION	WATTAGE					
		E4PH HOUSING				E4NGH HOUSING	
		L07	L12	L15	L19	L27	L36 <sup>2</sup>
	STANDARD REVERSE-PHASE, FORWARD-PHASE, AND TRIAC 1% OR 5%+ DEPENDING ON WATTAGE <sup>1</sup>	IC	IC	IC	IC	IC	NON-IC
<b>-010</b>	0-10V DIMMING 1% OR 5%+ DEPENDING ON WATTAGE	IC	IC	IC	IC	IC	NON-IC
<b>-ELDO</b>	ELDOLED 0.1% 0-10V LINEAR	IC	IC	IC	IC	IC	NON-IC
<b>-ELDOA</b>	ELDOLED 0.1% 0-10V LOGARITHMIC	IC	IC	IC	IC	IC	NON-IC
<b>-ELDD</b>	ELDOLED 0.1% DALI-2	IC	IC	IC	IC	IC	NON-IC
<b>-ELTO</b>	ELDOLED TUNABLE WHITE 0.1% 0-10V LINEAR	IC	IC	IC	IC	IC	NON-IC
<b>-ELTD</b>	ELDOLED TUNABLE WHITE 0.1% DALI-2	IC	IC	IC	IC	IC	NON-IC
<b>-HLECO</b>	LUTRON HI-LUME 0.1% ECOSYSTEM	IC	IC	IC	IC	-0	IC

<sup>1</sup>No branch wiring.

<sup>2</sup>L36 output only available non-IC/CP in larger E4NGH housing. Not available with WD31 warm dim or TW52 tunable white.

Emergency battery back-up available in smaller E4PEMH housing (above ceiling access required) only for L07, L12 and L15 output.

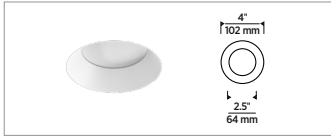
Emergency battery back-up available in larger E4NGEMH housing only for L19, L27 and L36 output.



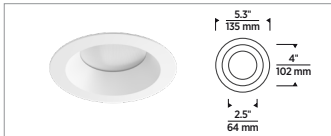
# ELEMENT™ 4" PRO SERIES LED FIXED DOWNLIGHT

## TRIMS

### ROUND

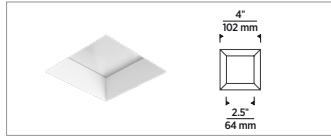


FLANGELESS

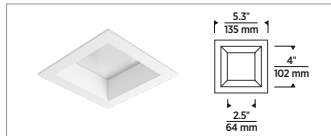


FLANGED

### SQUARE



FLANGELESS



FLANGED

## FINISH OPTIONS

### NO FLANGE



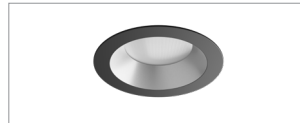
HAZE SILVER BEVEL

### WHITE FLANGE

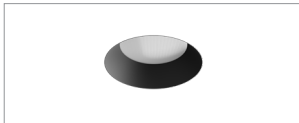


WHITE FLANGE, HAZE SILVER BEVEL

### BLACK FLANGE



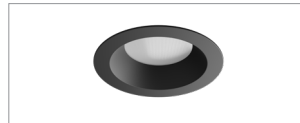
BLACK FLANGE, HAZE SILVER BEVEL



BLACK BEVEL



WHITE FLANGE, BLACK BEVEL



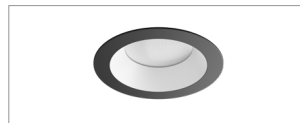
BLACK FLANGE, BLACK BEVEL



WHITE BEVEL



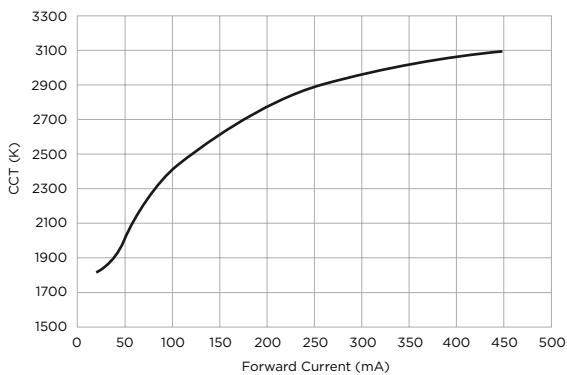
WHITE FLANGE, WHITE BEVEL



BLACK FLANGE, WHITE BEVEL

## WARM DIM CURVE

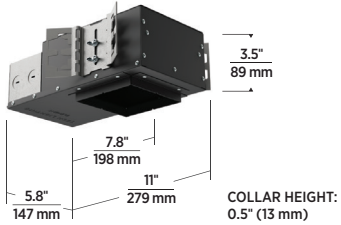
CCT vs. Forward Current,  $T_c=25^\circ\text{C}$



# ELEMENT™ 4" PRO SERIES LED FIXED DOWNLIGHT

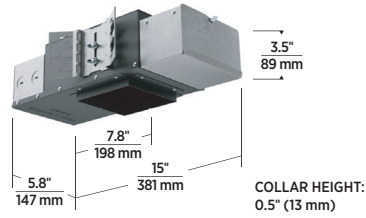
## HOUSINGS

### E4PH



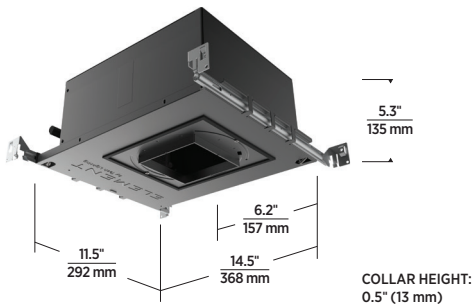
IC AIRTIGHT / NON-IC AIRTIGHT / CHICAGO PLENUM (UP TO 19W)

### E4PEMH



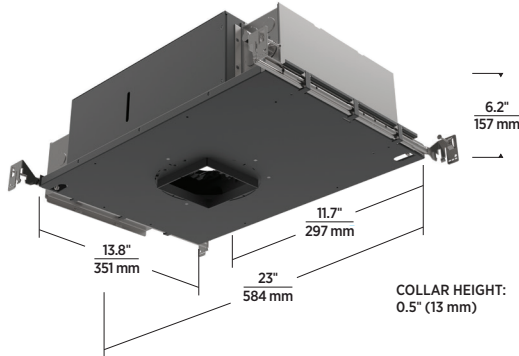
EMERGENCY BATTERY AIRTIGHT (NON-IC) / CHICAGO PLENUM (UP TO 15W) (ABOVE CEILING ACCESS REQUIRED)

### E4NGH



IC AIRTIGHT / NON-IC AIRTIGHT / CHICAGO PLENUM (27W AND ABOVE) BELOW CEILING ACCESS PROVIDED

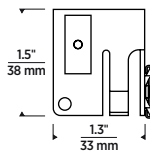
### E4NGEMH



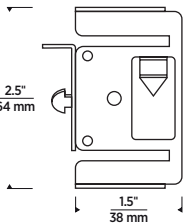
EMERGENCY BATTERY (NON-IC) AIRTIGHT / CHICAGO PLENUM (19W AND ABOVE) BELOW CEILING ACCESS PROVIDED

## HANGER BARS

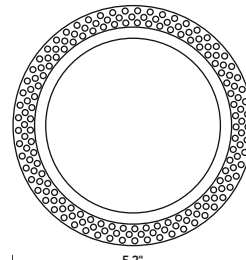
### STANDARD



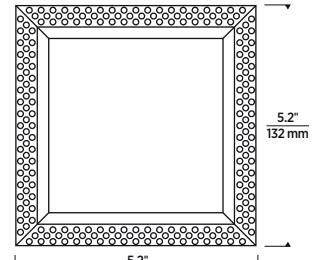
### PREMIUM



## PLASTER PLATES

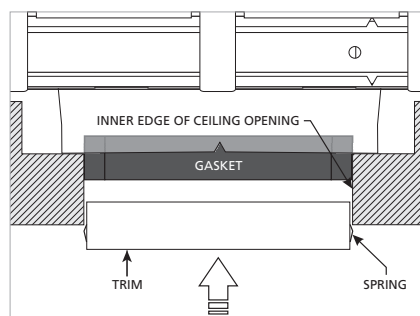


ROUND SHEET METAL MUD/PLASTER PLATE IS INCLUDED FOR FLANGELESS INSTALLATION



SQUARE SHEET METAL MUD/PLASTER PLATE IS INCLUDED FOR FLANGELESS INSTALLATION

## FLANGELESS IN WOOD CEILING INSTALLATION



# ELEMENT™ 4" PRO SERIES LED

FIXED DOWNLIGHT

## PROJECT INFORMATION

---

### JOB NAME AND INFORMATION

---

---

---

---

---

---

---

---

---

### FIXTURE TYPE AND QUANTITY

---

---

---

---

---

---

---

---

---

### NOTES

---

---

---

---

---

---

---

---

---

---

---

---

---

---

---

---

---

---

---

---

---

---

