

ELEMENT™ 3" CYLINDER

WALL WASH CYLINDER

Enhance your space with the modern design of the ELEMENT 3" Wall Wash Cylinder. Perfect for accentuating artwork or architecture, this refined lighting solution adds luxury to any setting. It offers multiple mounting options and warm dim or static white options to create a welcoming ambiance for your guests or customers.

- Optimized wall wash beam distribution
- 1-step static white and 2-step warm dim color binning
- Available in Black and White
- Flush, surface, conduit, and pendant mount options



SHOWN IN BLACK

LUMEN MULTIPLIER (CRI/CCT)

CCT	80 CRI MULTIPLIER	90 CRI MULTIPLIER
2700K	—	0.98
3000K	—	1.00
3500K	1.21	—

Lumen output will vary by CCT and CRI. See photometric charts for output information. Data in chart reflects 3000K/90 CRI values, unless otherwise noted.

SPECIFICATIONS

	STATIC WHITE		WARM DIM	
WATTAGE	Lumens	Efficacy	Lumens	Efficacy
12W	797	71	692	57
15W	1037	67	897	53
19W	1229	66	1047	51
24W	1348	57	1204	46
CRI	80+, 90+		90+	
CCT	2700K, 3000K, or 3500K		3000K - 1800K	
COLOR CONSISTENCY	1-step		2-step	
VOLTAGE	120V or 277V			
DIMMING ¹	Standard reverse-phase, forward-phase, TRIAC, and 0-10V dimming down to 1% eldoLED 0-10V or DALI-2 down to 0.1% Lutron Hi-lume EcoSystem down to 0.1%			
POWER SUPPLY	Constant current driver with +0.9 power factor and +80% efficiency			
CEILING APPEARANCE	Flush mount Surface mount (canopy) Pendant mount (canopy) Conduit mount (j-box)			
CONSTRUCTION	Cylinder: Aluminum			
FINISH	White or Black			
GENERAL LISTINGS	ETL Listed. Damp Location.			
CALIFORNIA TITLE 24	Registered CEC appliance database. Complies with CEC 2019 Title 24 Part 6 (JA8-2016, JA8-2019) (for 90 CRI versions).			
L70	50,000 hours min			
WARRANTY ²	5 years			

Data in chart reflect 3000K/90 CRI values, unless otherwise noted.

Ordering grids available on page 2.

¹See visualcomfort.com for dimmer compatibility.

²Visit visualcomfort.com for specific warranty limitations and details.

ELEMENT™ 3" CYLINDER

WALL WASH CYLINDER

ORDERING GRIDS

CYLINDER

PRODUCT	MOUNTING	OUTPUT	CRI/CCT	FUNCTION	DRIVERS ⁴	CYLINDER FINISH
EC3R ELEMENT CYLINDERS 3" ROUND	F FLUSH MOUNT ¹	-12 12W	835 80 CRI, 3500, 1-STEP	W WALL WASH	DRIVERS 120V/277V	-B BLACK -W WHITE
	S SURFACE MOUNT (CANOPY)	-15 15W	927 90 CRI, 2700K, 1-STEP		-UNV UNIVERSAL PHASE/0-10V 1% ⁵	
	P PENDANT MOUNT (CANOPY) ²	-19 19W	930 90 CRI, 3000K, 1-STEP		-ELDO ELDOLED 0.1% 0-10V LINEAR	
	C CONDUIT MOUNT (J-BOX) ³	-24 24W	9WD31 90 CRI, WARM DIM, 3000-1800K, 2-STEP		-ELDOA ELDOLED 0.1% 0-10V LOGARITHMIC -ELDD ELDOLED 0.1% DALI-2 -HLECO LUTRON HI-LUME 0.1% ECOSYSTEM	
EC3R	-	-	-	W	-	-

For dimming details, refer to dimmer compatibility chart.

¹F - Flush Mount includes an adapter plate to convert junction box before ceiling install and a remote driver enclosure for all driver options.

²P - Pendant Mount requires selection of Pendant Stem Accessory Kit. See part numbers below.

³C - Conduit Mount includes a remote driver enclosure for all driver options.

⁴The drivers in ELEMENT Cylinders must be located either in the junction box or in a remote location. Reference the Driver J-Box Compatibility Chart below for guidance. When the driver is listed as Remote, a remote enclosure that is 4" x 8" x 1.8" is provided. All non-UNV drivers are remote. All flush and conduit drivers are remote.

⁵UNV - Universal dimming is reverse-phase, forward-phase, TRIAC, and 0-10V. 277V is only compatible with 0-10V dimming. Surface and Pendant Mounts place the UNV driver in the junction box for the 12W and 15W outputs. For 19W and 24W outputs a remote driver enclosure is included for locating the UNV driver.

DRIVER J-BOX COMPATIBILITY CHART

	12W AND 15W UNIVERSAL	19W AND 24W UNIVERSAL	12W, 15W, 19W, 24W LUTRON/ELDOLED
3" FLUSH MOUNT			
4" OCTAGON	REMOTE	REMOTE	REMOTE
4" SQUARE	FITS SNUGLY IN J-BOX		
20 CU IN CEILING BOX	FITS IN J-BOX		
3" SURFACE MOUNT (CANOPY) PENDANT MOUNT (CANOPY)			
4" OCTAGON	FITS IN J-BOX	REMOTE	REMOTE
4" SQUARE		FITS SNUGLY IN J-BOX	
20 CU IN CEILING BOX		FITS SNUGLY IN J-BOX	
3" CONDUIT MOUNT (J-BOX)			
4" OCTAGON	REMOTE	REMOTE	REMOTE
4" SQUARE			
20 CU IN CEILING BOX			

PENDANT STEMS

PRODUCT ¹	LENGTH ²	FINISH
ECPS	12 12"	B BLACK
	24 24"	W WHITE
	36 36"	
	48 48"	
	60 60"	
	72 72"	

ECPS

¹Required for Pendant Mount only.

²Consult Quotes Department for custom lengths to the inch.

VAULTED CEILING ADAPTER

PRODUCT	FINISH
ELCVA PENDANT MOUNT ¹	B BLACK W WHITE

¹For use with Pendant Mount Cylinder with or without Stems.

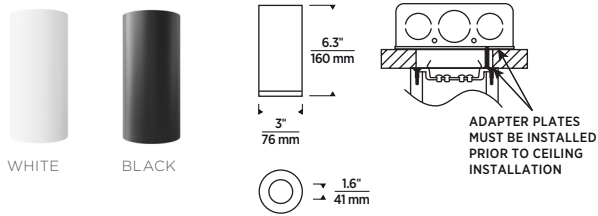
Accommodates slopes up to 45 degrees. Adds 1.7" to the overall length of the stem.

ELEMENT™ 3" CYLINDER

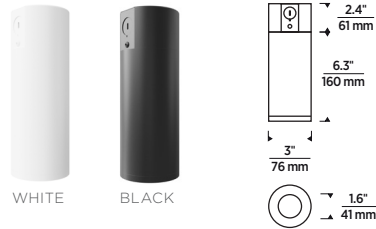
WALL WASH CYLINDER

CYLINDERS

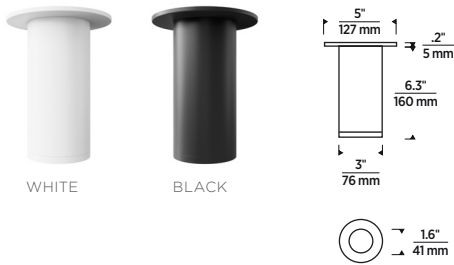
FLUSH MOUNT



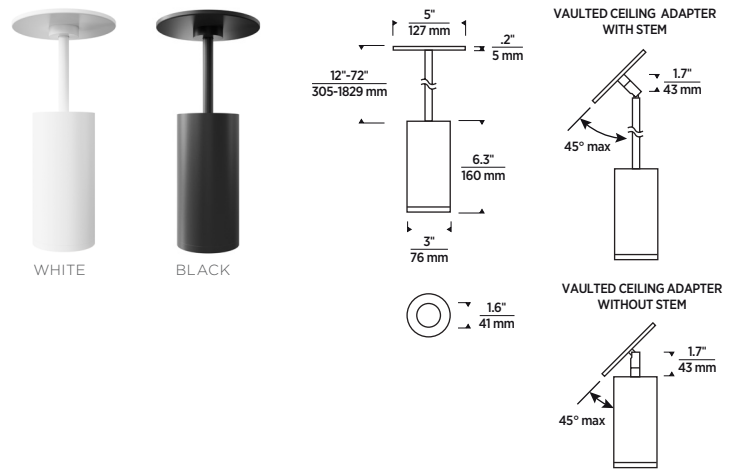
CONDUIT MOUNT (J-BOX)



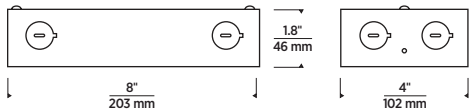
SURFACE MOUNT (CANOPY)



PENDANT MOUNT (CANOPY)



REMOTE DRIVER J-BOX



ELEMENT™ 3" CYLINDER

WALL WASH CYLINDER

PHOTOMETRICS

Description: 3" Cylinder Wall Wash
90 CRI, 3000K

Input Power (Watts): 18.5
Input Power Factor: 0.98
Absolute Luminous Flux (Lumens): 1229
Lumen Efficacy (Lumens per Watt): 66

Description: 3" Cylinder Wall Wash
90 CRI, 3000K

Input Power (Watts): 23.8
Input Power Factor: 0.98
Absolute Luminous Flux (Lumens): 1348
Lumen Efficacy (Lumens per Watt): 57

ANGLE	0°	45°	90°
0°	453	453	453
5°	422	427	450
10°	413	413	438
15°	414	409	421
20°	416	408	399
25°	409	402	375
30°	392	385	348
35°	367	358	316
40°	331	321	278
45°	286	274	235
50°	220	211	185
55°	140	143	135
60°	106	102	99
65°	74	70	70
70°	50	45	43
75°	34	30	23
80°	21	17	13
85°	10	8	6
90°	0	0	0

ANGLE	0°	45°	90°
0°	885	885	885
5°	951	939	870
10°	992	947	831
15°	991	925	753
20°	955	890	649
25°	884	835	542
30°	804	760	450
35°	712	670	380
40°	604	555	316
45°	476	425	259
50°	341	290	208
55°	224	185	161
60°	129	125	118
65°	82	83	77
70°	51	48	42
75°	27	23	20
80°	9	10	12
85°	0	0	0
90°	0	0	0

