

E4 Pro Flanged Trims

1.0



FLANGED TRIMS

GENERAL PRODUCT INFORMATION:

This product is suitable for indoor locations.

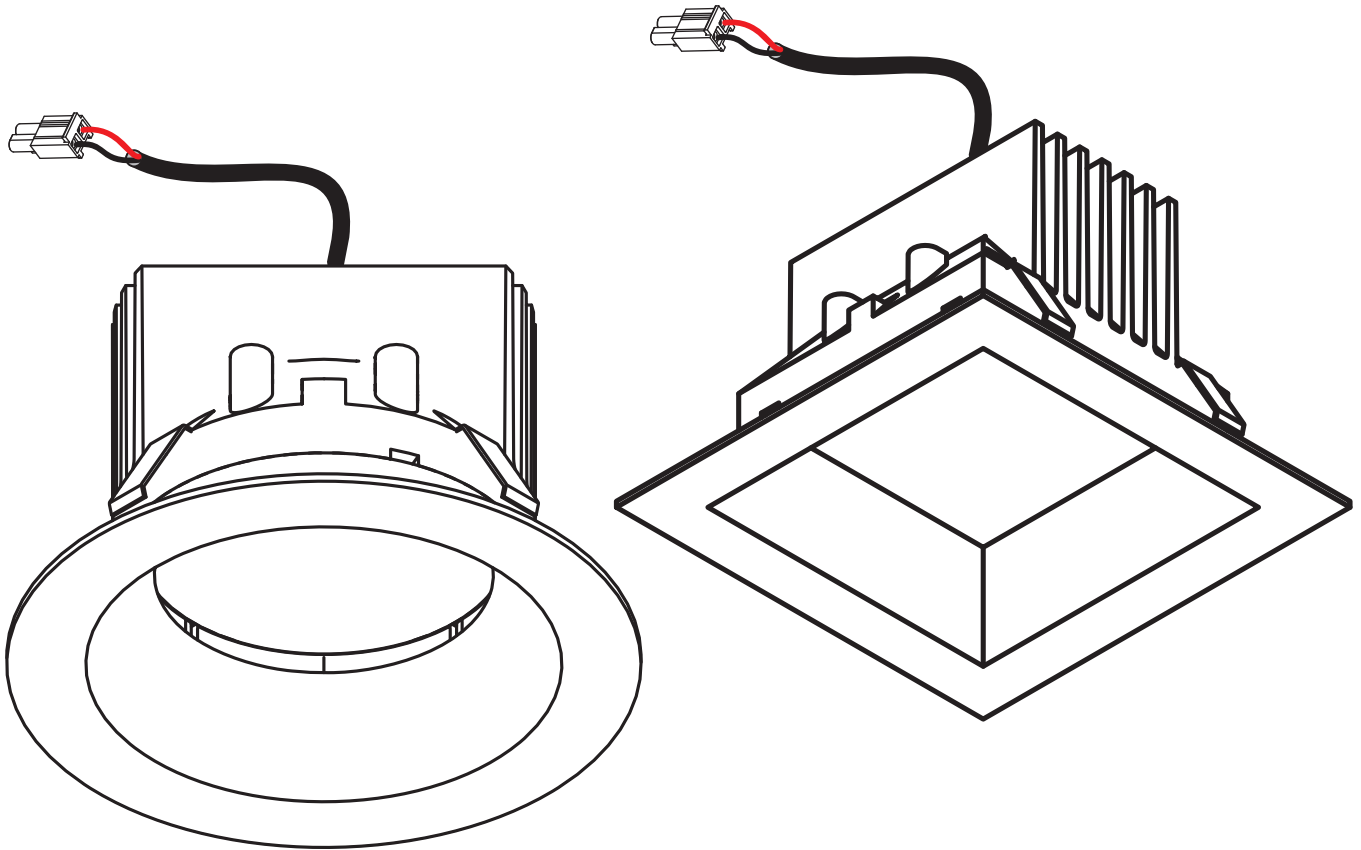
This instruction shows a typical installation.



7400 Linder Ave, Skokie, IL 60077
847.410.4400

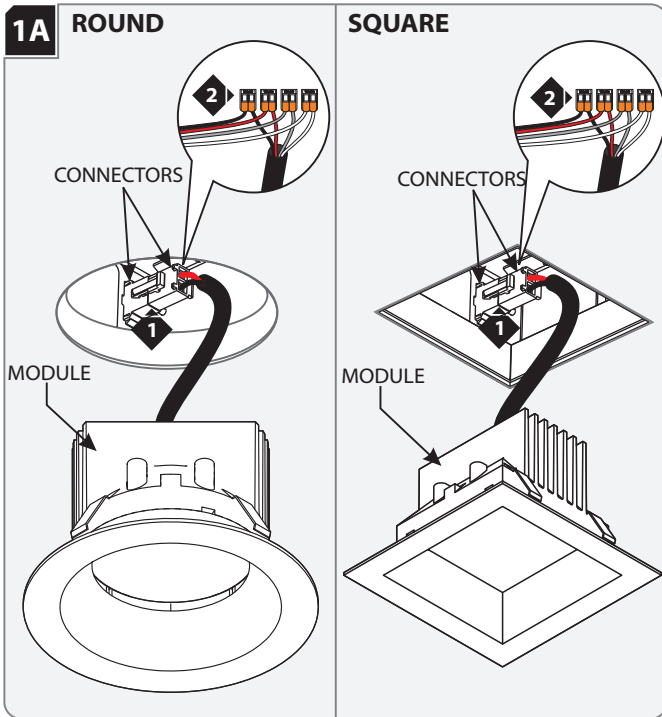
www.techlighting.com

© 2020 Tech Lighting, L.L.C. All rights reserved.
Visual Comfort & Co.

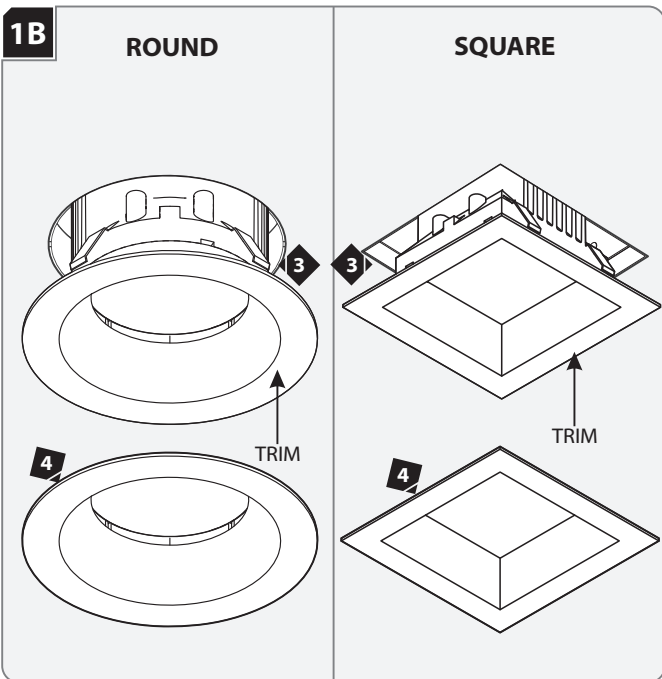


SAVE THESE INSTRUCTIONS!

Install the Module and Trim



- 1 Connect the wall wash module to the fixture using the connectors. **Skip to step 3**
- 2 For Tunable White Versions, connect each module wire to the corresponding Wago connector.



- 3 Align the trim with the inner edge of the collar.
- 4 Push the trim up until it snaps flush to the ceiling.

Thick Ceiling Module

