

Entra Recessed Fixed and Adjustable Low-Voltage Niche Lights

1.1



ENTRA

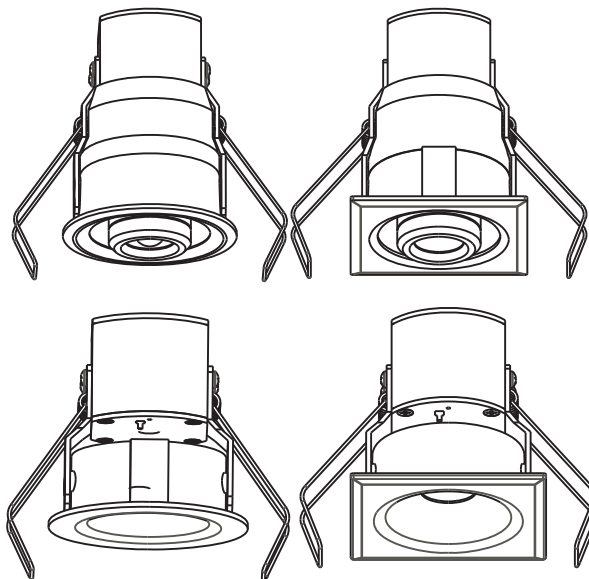
GENERAL PRODUCT INFORMATION:



Adjustable fixture are safety listed for damp locations.

Fixed downlight fixtures are safety listed for wet locations.

This instruction shows a typical installation.

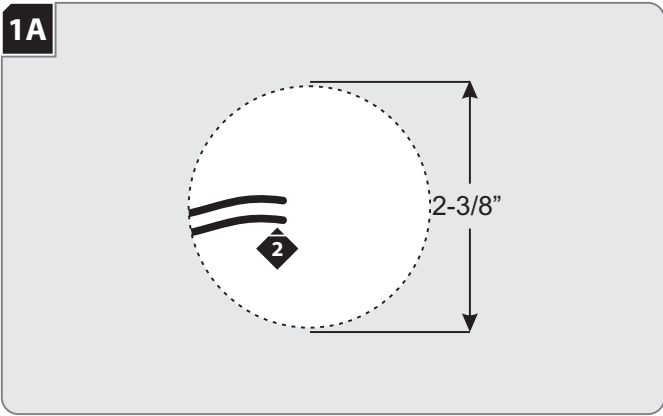


SAVE THESE INSTRUCTIONS!

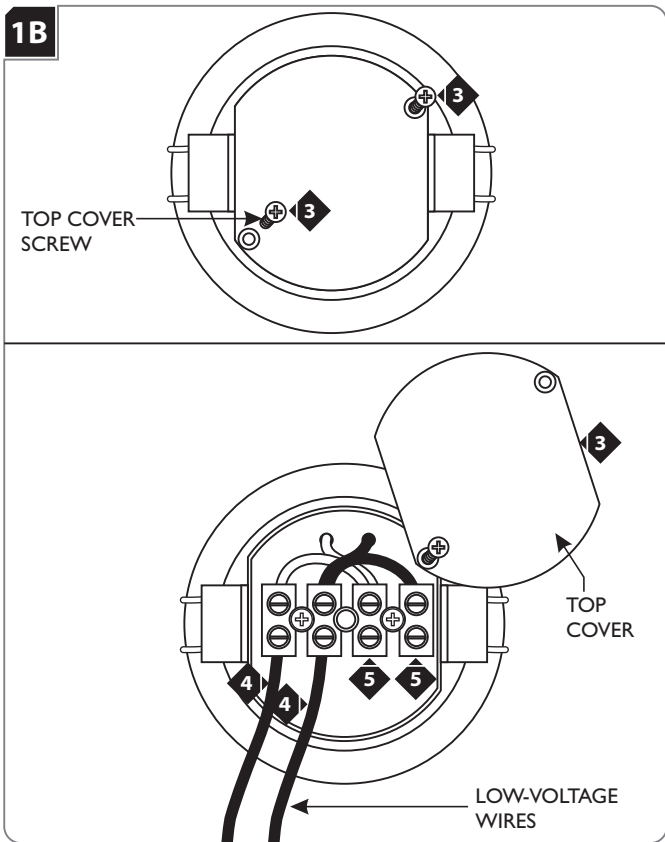
Install the Fixture

NOTE: Follow the transformer instructions to install, properly connect, and bring low-voltage wire leads to the fixture's mounting location.

NOTE: This instruction covers round and square versions. Round version was used for illustration purposes.

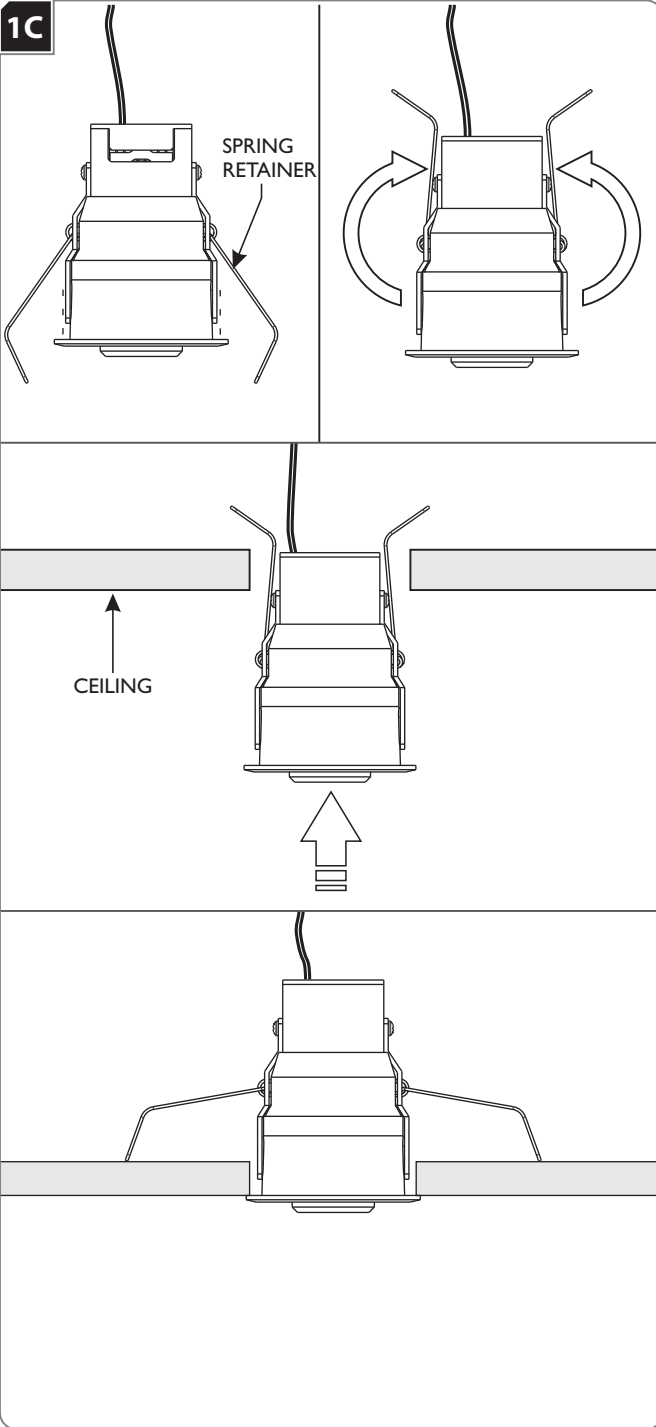


- 1 Using a 2-3/8" hole saw, cut a hole into the ceiling at the desired location(s).
- 2 Bring the low-voltage wires to the ceiling cut-out.
 - *For class 2 installations, use Type CL2 cable.
 - *For non-class 2 installations, use non-metallic sheathed cable, Type NM.



- 3 From the top of the fixture, remove one of the screws, loosen the other, and swing the top cover open.
- 4 Strip a 1/4" of insulation from each low-voltage wire and connect the low-voltage wires to adjacent terminals on either the right or left side of the terminal block.
- 5 If powering multiple fixtures, use the additional ports to connect to the next fixture.
- 6 Make sure not to pinch the wires and re install the top cover (reversal of step 3). The plastic insert serves to provide strain relief for the input wires.

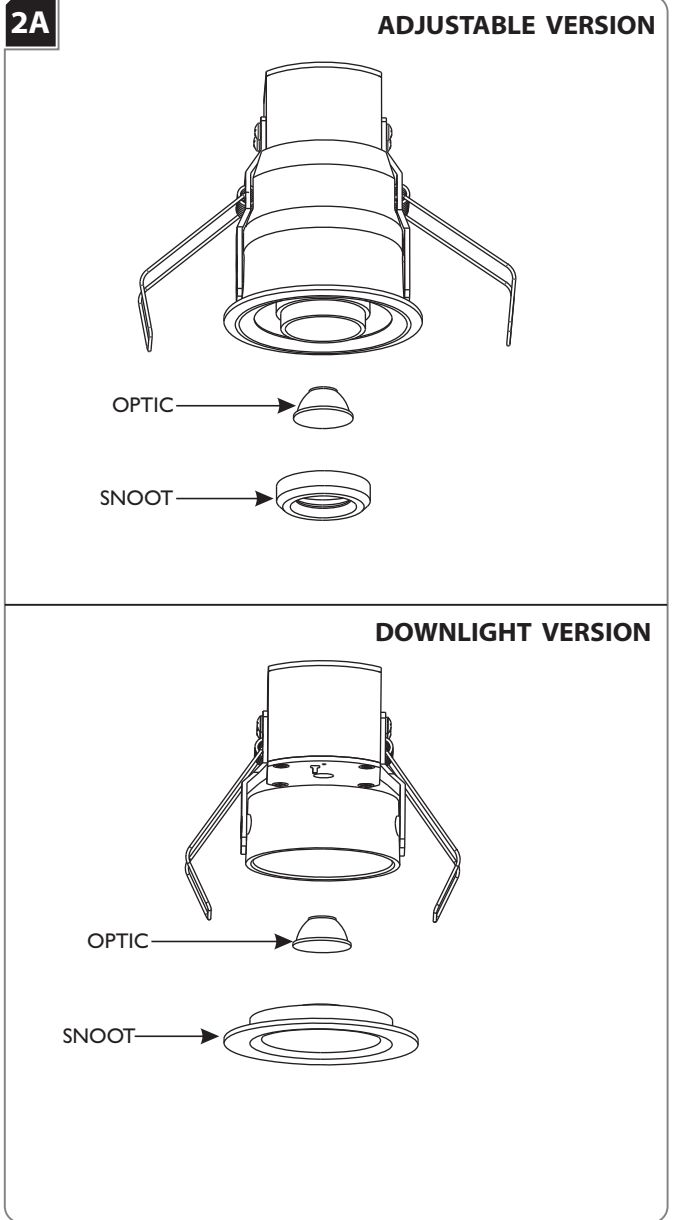
NOTE: For square versions, ensure that the fixture is parallel or perpendicular to the walls, this will ensure that the fixture is oriented to the room.



7 Rotate the spring retainers completely up and insert the fixture into ceiling until it is securely in place.

Replacing Optics

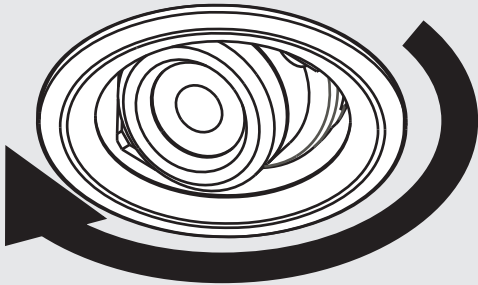
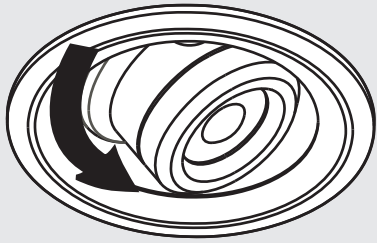
NOTE: The fixture is provided with a narrow-beam lens pre-assembled. If the flood lens is preferred, follow these steps to change the lens prior to installation.



- 1** Unscrew and remove the snoot.
- 2** Remove the optic.
- 3** Install the replacement optic inside the snoot.
- 4** Screw the snoot back on.

Adjust the Module (adjustable version only)

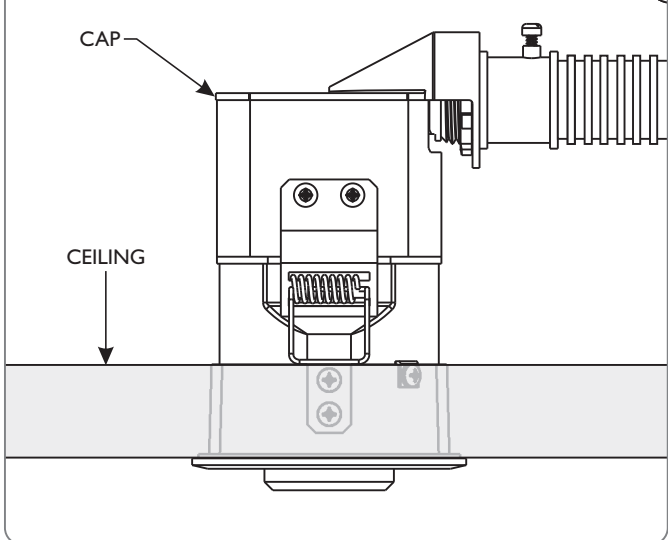
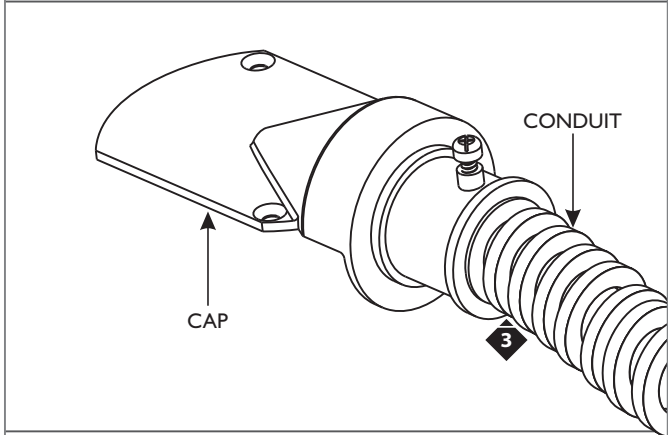
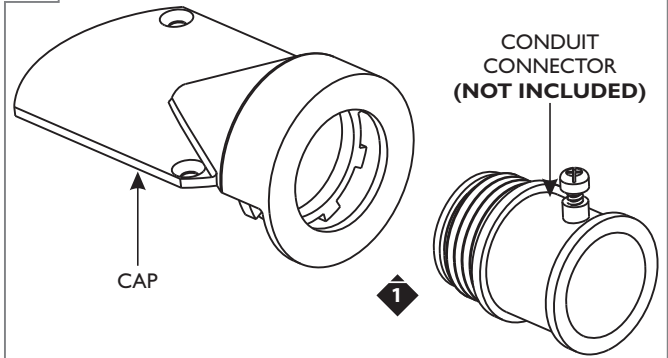
3A



- 1 Tilt and rotate the LED module to the desired direction. The gimbal mechanism may be rotated up to 359°.

Accessory Cap (sold separately)

4A



NOTE: ENNCONCP is required only when low-voltage wires are being routed through metal conduit and an MC connector is used at the fixture. Access above the ceiling/installation surface is required to use ENNCONCP.

- 1 Unscrew and remove the top cover from the fixture. Fasten the MC connector (not included) to the opening in the cap.
- 2 Install the fixture without the cap (see Figure 1C).
- 3 Run conduit and wires to fixture and make wiring connections to terminal block (see Figure 1B). **NOTE: This must be done from above the ceiling/installation surface.**
- 4 Fasten the connector cap to the top of the fixture using the screws removed from the original top cover.



7400 Linder Ave., Skokie, IL 60077

T 847.410.4400 | F 847.410.4500

www.techlighting.com