
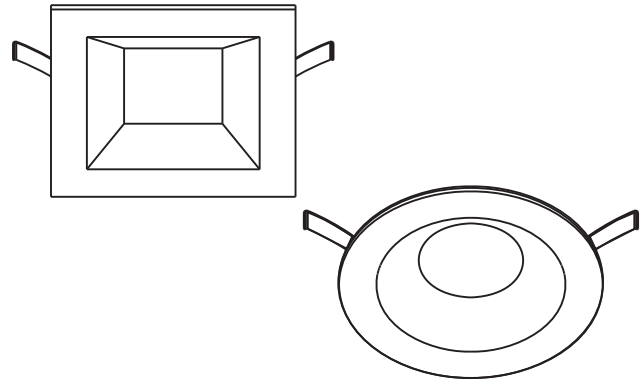


# Entra Trims

EN3\_ \_ 1.0



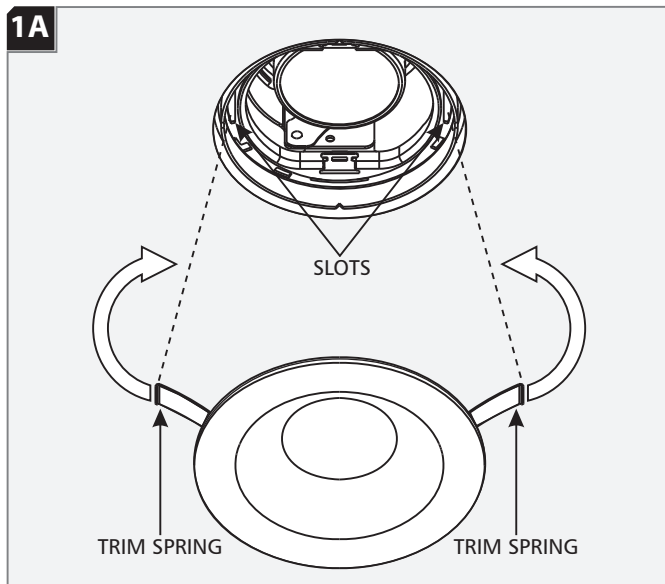
**GENERAL PRODUCT INFORMATION:**  Intertek  
 This product is safety listed for damp locations with all trims, and for wet locations with trims EN3RFB-H\_ ; EN3RLB-H\_ ; EN3SFB-H\_ ; and EN3SLB-H\_ .  
 This instruction shows a typical installation.



 Use the instructions provided with fixture before beginning trim installation.

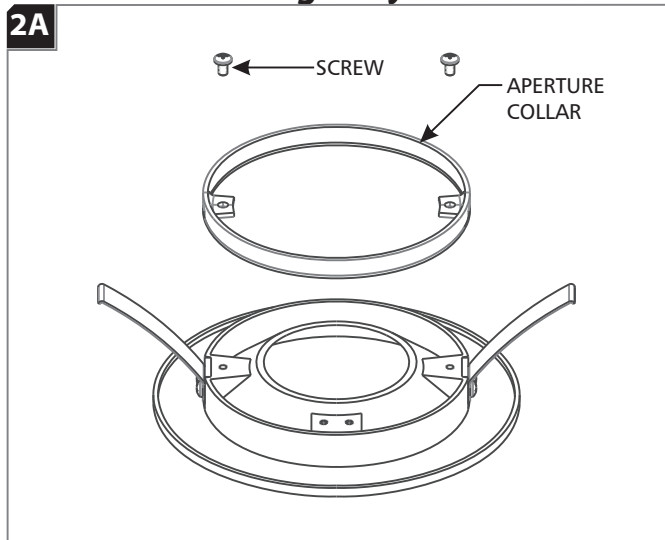
**SAVE THESE INSTRUCTIONS!**

## Install or Remove the Trim



- 1 Push the trims springs inward and push them through the slots on the housing (**round trim shown**).
- 2 Push the trim upward until it seats securely against the ceiling (**flanged trims**) or the inner lip of the plaster ring (**flangeless trims**).
- 3 **To Remove the Trim:** Carefully pull the trim away from the ceiling just enough to allow room to push the trim springs inward, then pull the springs out of the slots on the housing (**round trim shown**). Lensed trims can be pulled down by pushing the lens upward on the spring clip.

## For 3/4"-1" Ceiling Only



- 1 To install aperture collar (EN3RACB / EN3SACB, available separately) on flanged trims:
- 2 Secure aperture collar to trim using the included screws and the threaded holes on the trim. Ensure that the gasket on the collar forms a tight fit to the trim. Install the trim as shown in Step 1A.

**Note:** Aperture collar is not to be used on ceiling thickness less than 3/4". Aperture collar is not required for flangeless installations.



7400 Linder Ave., Skokie, IL 60077

T 847.410.4400 | F 847.410.4500

[www.techlighting.com](http://www.techlighting.com)