

Verse New Construction Housing

V3_ 1.2

VISUAL COMFORT & Co.

ARCHITECTURAL COLLECTION

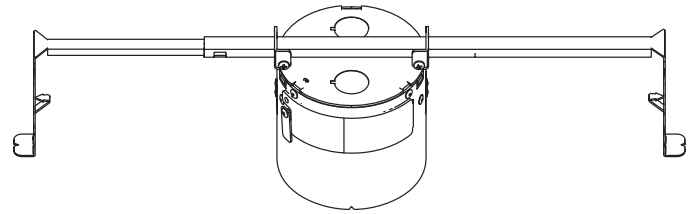
GENERAL PRODUCT INFORMATION:



This product is suitable for indoor locations.

This product can be dimmed with a standard electronic dimmer.

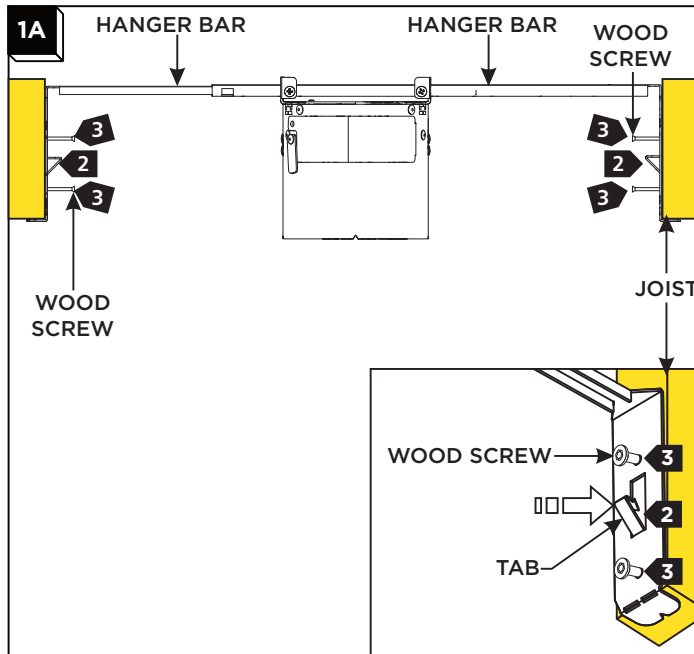
This instruction shows a typical installation.



CAUTION - RISK OF FIRE
 This product must be installed in accordance with the applicable installation code by a person familiar with the construction and operation of the product and the hazards involved.
Use minimum 90°C supply conductors.

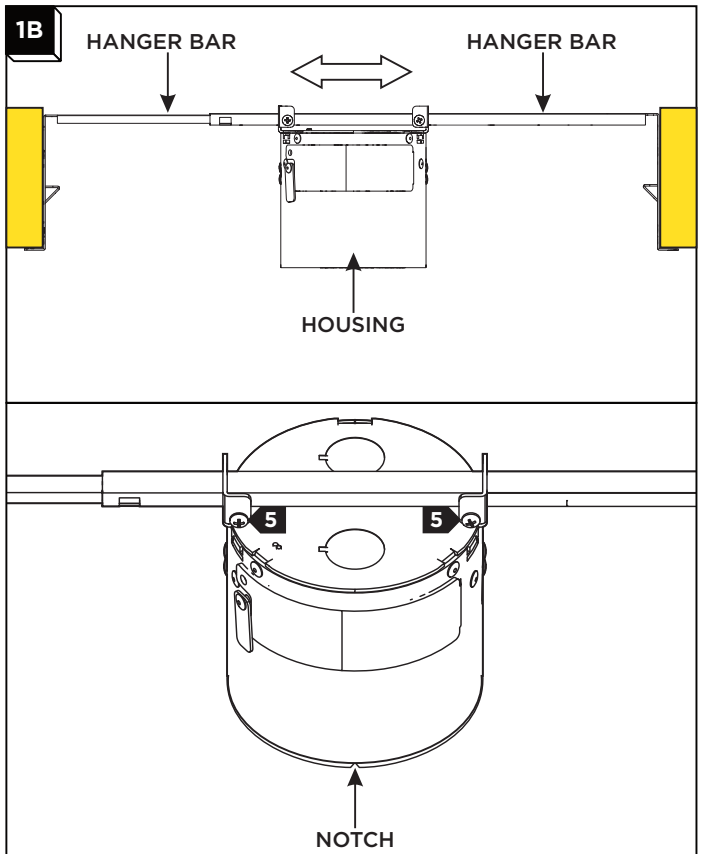
SAVE THESE INSTRUCTIONS!

Install the Housing with Hanger Bars



NOTE: The hanger bar can only be mounted to joists that are spaced 16" apart.

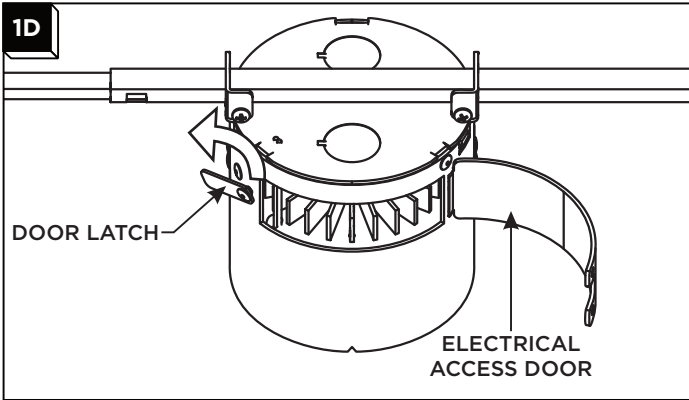
- 1** Align the bottom of the hanger bar end brackets with the bottom of the ceiling joists.
- 2** Level the hanger bar and, with a hammer, tap the mounting tabs completely into the joists to hold them in place.
- 3** Secure the hanger bar to the joists with wood screws.



- 4** Adjust the housing position by sliding it on the hanger bar.
- 5** When the desired location is achieved, tighten the two #6 screws to lock the housing onto the hanger bar.

NOTE: Notches in collar can be used to align multiple housings using a laser or string.

Connect Power to the Housing with Conduit



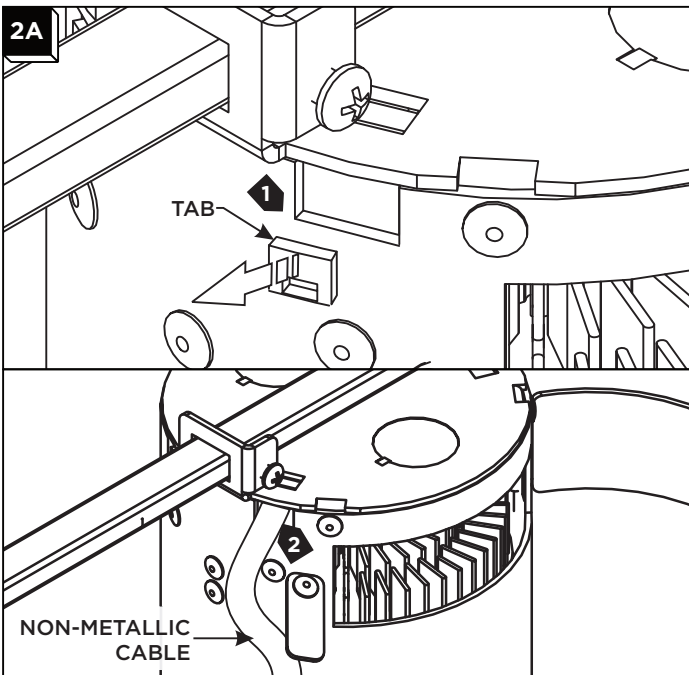
- 8** Swing the door latch upward to allow the electrical access door to open.

Continue to the section suitable with your installation:

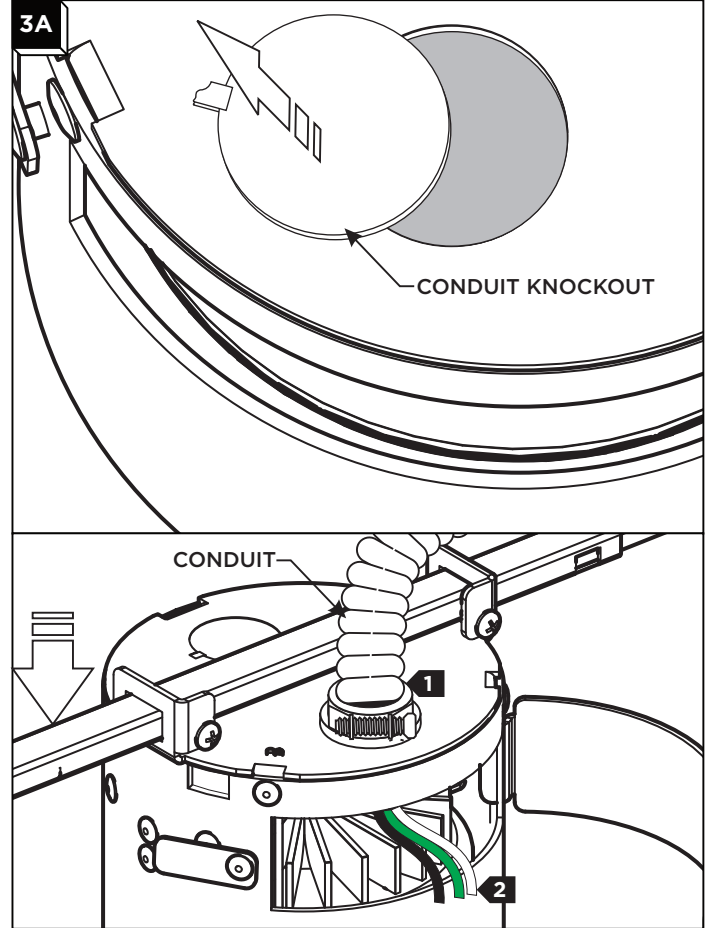
Connect Power to the Housing with A Non-Metallic cable, go to Section 2A.

Connect Power to the Housing with Conduit, go to Section 3A.

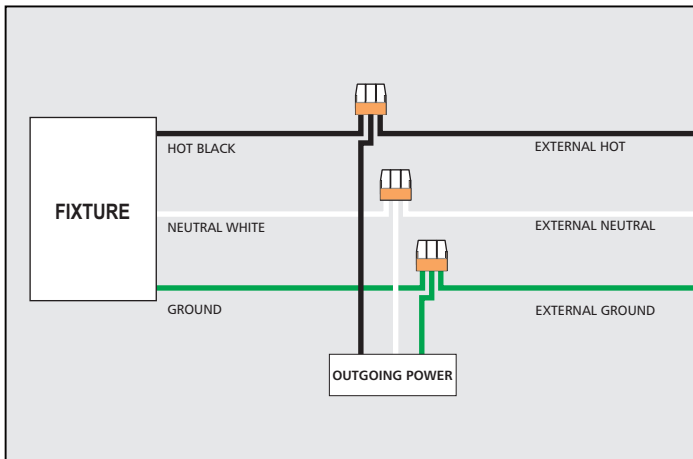
Connect Power with Non-Metallic Cable



- 1** Break off tabs for non-metallic cable openings as needed.
- 2** Push non-metallic cable into openings until there is enough slack inside to comfortably make wiring connections.
- 3** Skip to the wiring diagram on the next page.



- 1** Install the conduit to the housing electrical box.
- 2** Run the power line wires into the housing electrical box.
- 3** Use the following wiring diagram to wire your fixture.



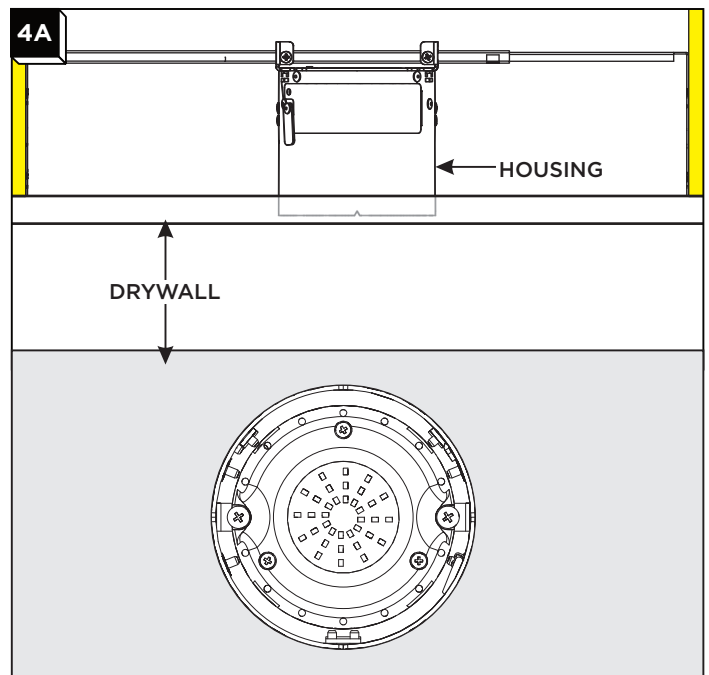
NOTES

Make wiring connections per local codes.

Maximum one incoming and one outgoing 12-18AWG wire sets are allowed.

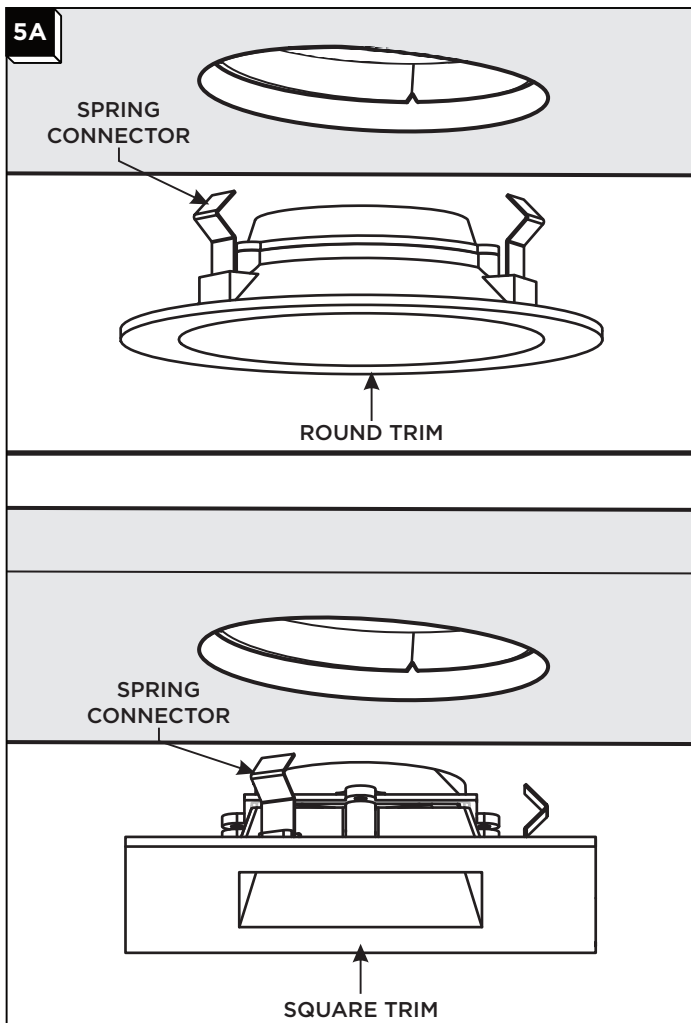
Close electrical access door and latch securely in place.

Install Drywall



- 1 Install drywall onto joists noting the location of the fixtures.
- 2 Use the outer edge of the housing to cut the hole in the drywall.
- 3 The housing will drop partially into the cut hole.

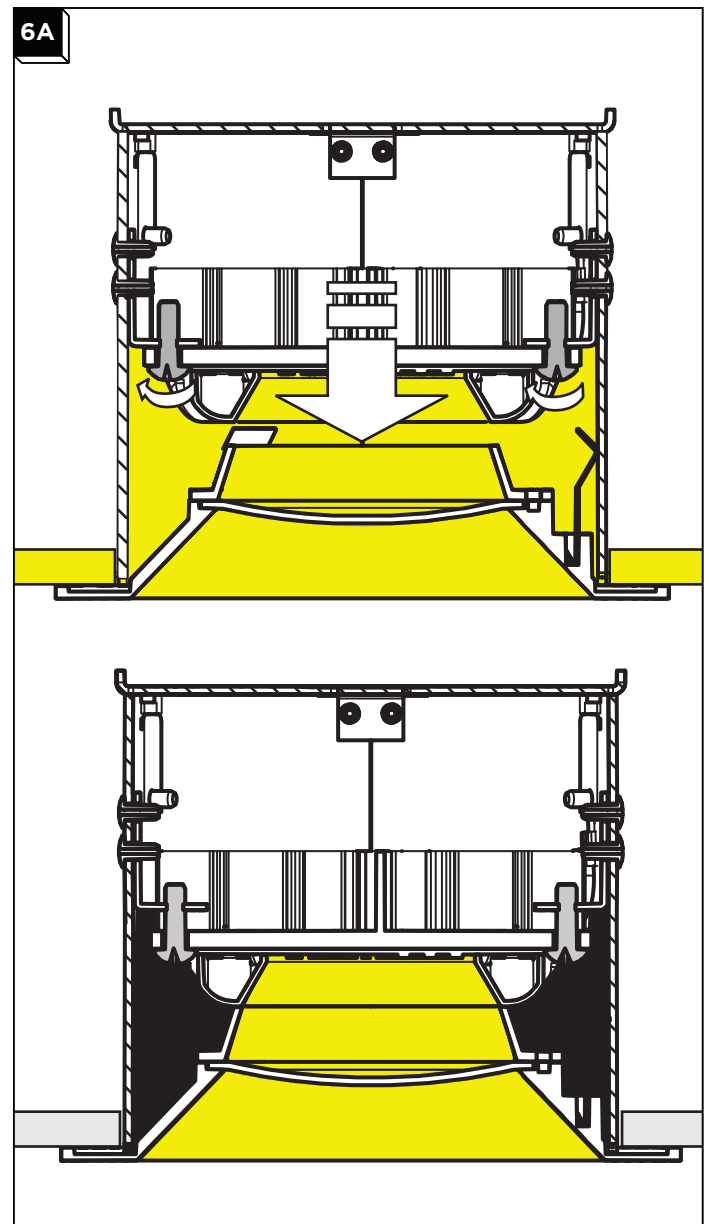
Install the Trim



- 1 Align the trim spring connectors with the inner edge of the housing.
- 2 Gently push the trim into the housing so that all spring connectors snap into place.

NOTE: gently twisting the trim while pushing it upward may help installing them up further into the housing.

Incase of Light Leak (optional)



- 1 If light leak is occurs, lower the position of the LED by loosening the two large Philips screws until it sets flush with the trim.