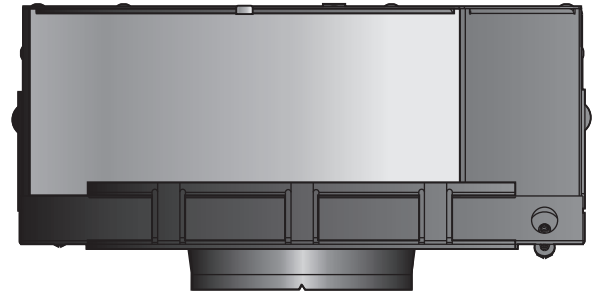


# VISUAL COMFORT & Co.

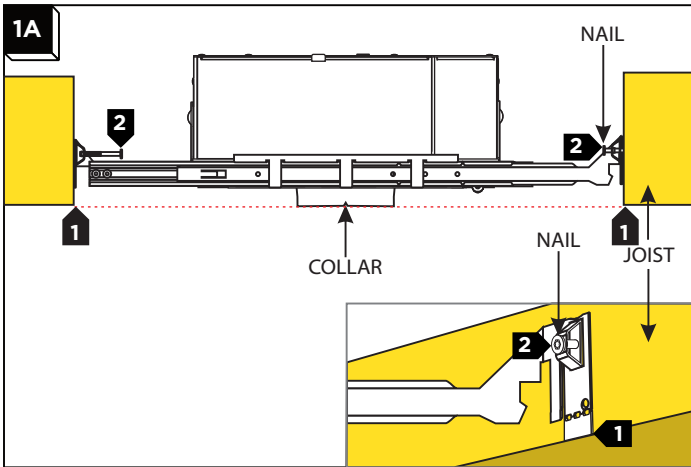
ARCHITECTURAL COLLECTION

**SAVE THESE INSTRUCTIONS!**



## 1/2" - 1" Ceiling Thickness

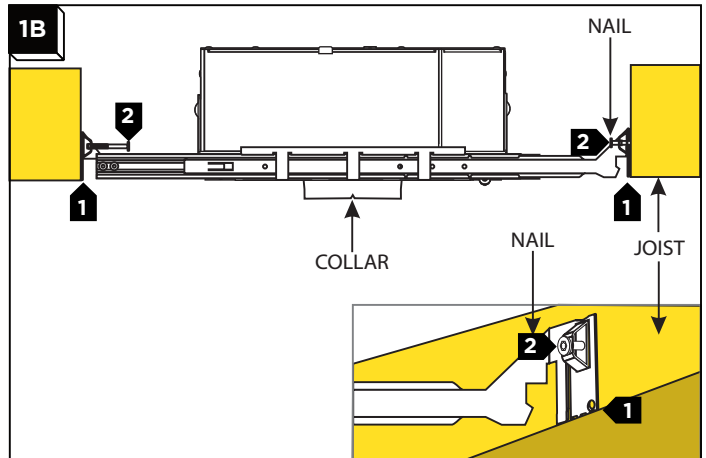
**NOTE: The adjustable bars can be mounted to joists that are spaced 16" - 24" apart.**



- 1** Align the bottom of the collar with the bottom of the ceiling joists.
- 2** Level the adjustable bars and, with a hammer, tap the nails completely into the joists to secure the adjustable bars.
- 3** Follow the installation instruction provided with the fixture to finish the installation. NOTE: the installment height detailed in these instructions supersedes the fixture instructions.
- 4** Proceed to Section 2A for milling details and ceiling cut-out dimensions.

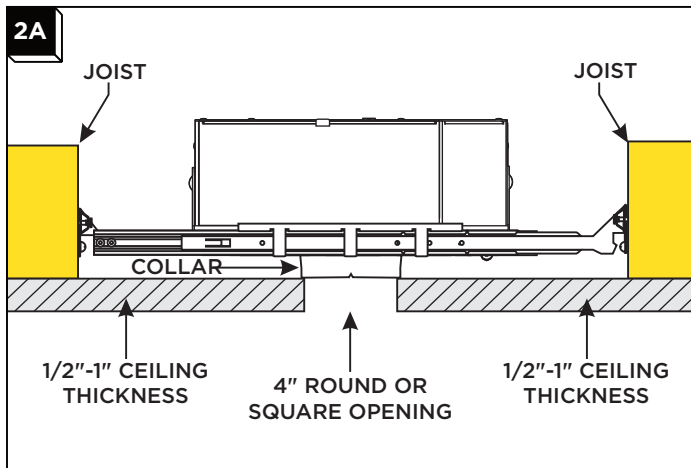
## 1" or More Ceiling Thickness

**NOTE: The adjustable bars can be mounted to joists that are spaced 16" - 24" apart.**



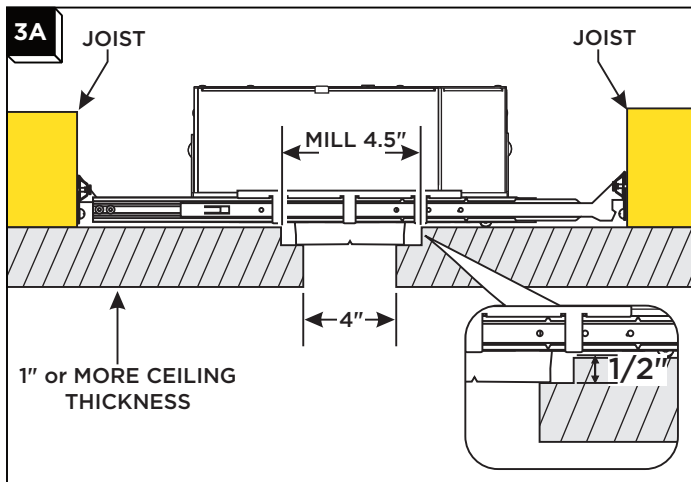
- 1** Align the bottom of the end plates with the bottom of the ceiling joists.
- 2** Level the adjustable bars and, with a hammer, tap the nails completely into the joists to secure the adjustable bars.
- 3** Follow the installation instruction provided with the fixture to finish the installation. NOTE: the installment height detailed in these instructions supersedes the fixture instructions.
- 4** Proceed to Section 3A for milling details and ceiling cut-out dimensions.

## 1/2" - 1" Ceiling Thickness



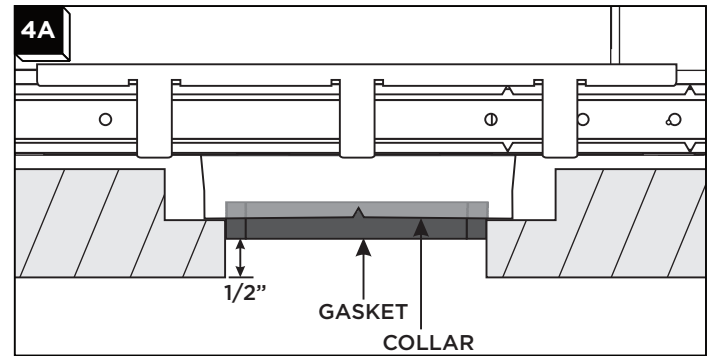
- 1 Use a 4" hole saw or mill a 4" square opening in the wood.
- 2 Proceed to Section 5A for gasket installation.

## 1" or More Ceiling Thickness



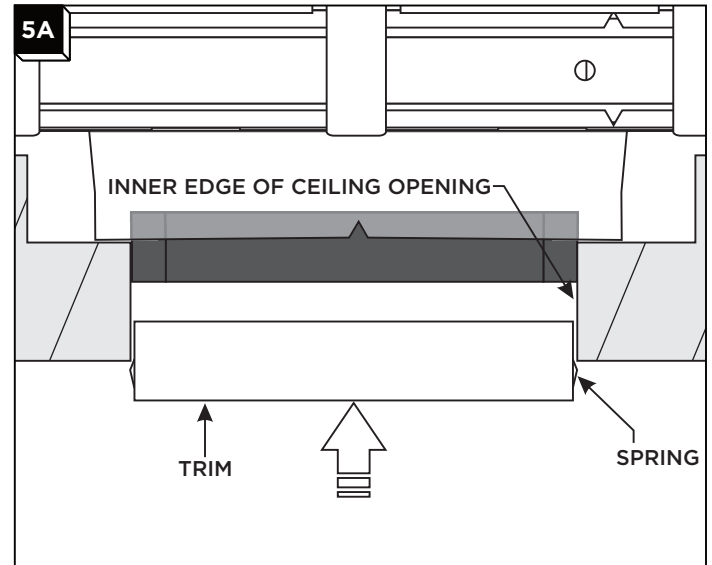
- 1 Use a 4" hole saw or mill a 4" square opening in the wood.
- 2 Mill a space 1/2" deep for the collar in the top surface of the wood. The collar opening should be at least 4.5" square or round.

## Install Gasket



- 1 Install the gasket 1/2" above the ceiling surface. Square trims will have four separate pieces and round trims will have one long piece.
- 2 Apply the gasket to the housing collar or inside edge of the hole in the wood or both depending on the ceiling thickness. If necessary, trim the gasket(s) for proper fitting.

## Install the Trim



- 1 Align the trim spring with the inner edge of the ceiling opening.
- 2 Gently push the trim into the ceiling opening so that the four springs snap into place.