

ENTRA Cylinder 2" and 3" Cord Pendant Mount

EC_ 1.0

VISUAL COMFORT & Co.

ARCHITECTURAL COLLECTION

GENERAL PRODUCT INFORMATION:



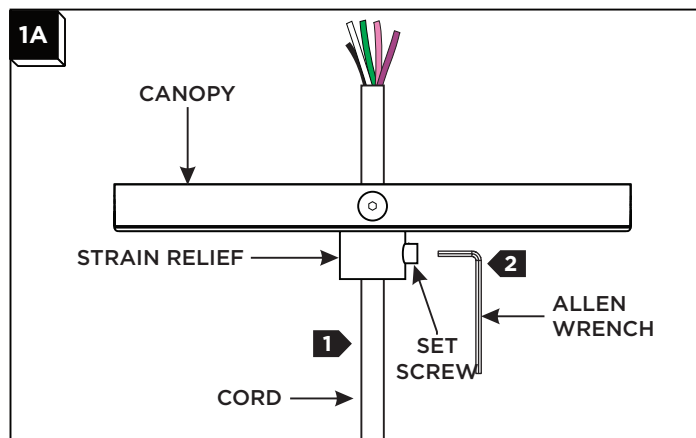
This product is suitable for damp locations.

This product can be dimmed with a standard electronic dimmer or 0-10V dimmer.

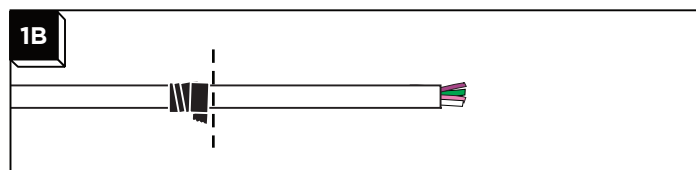
This instruction shows a typical installation.

SAVE THESE INSTRUCTIONS!

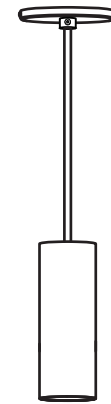
Assemble the Fixture



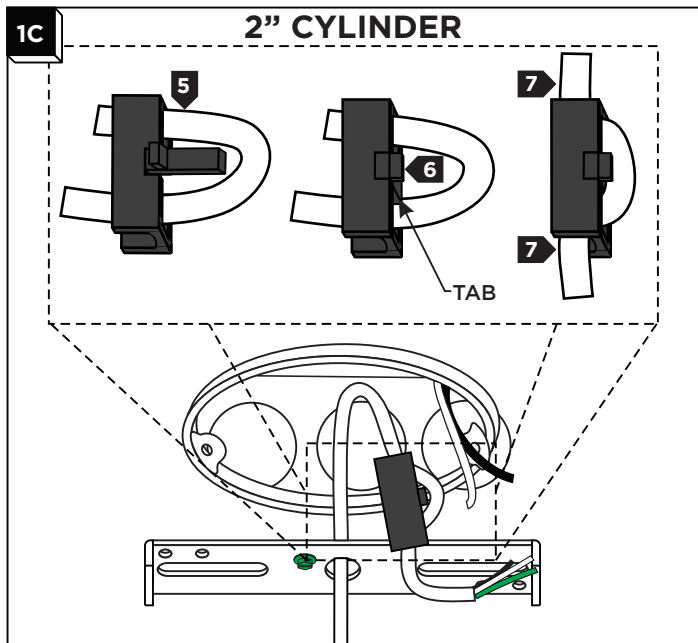
- 1 Feed the cord through the canopy strain relief.
- 2 Adjust the cord to the desired length, leaving enough cord for a UL-approved knot. Tighten the set screw until the cord is secured and does not move when pulled.



- 3 Tape the cord jacket before cutting to prevent fraying.



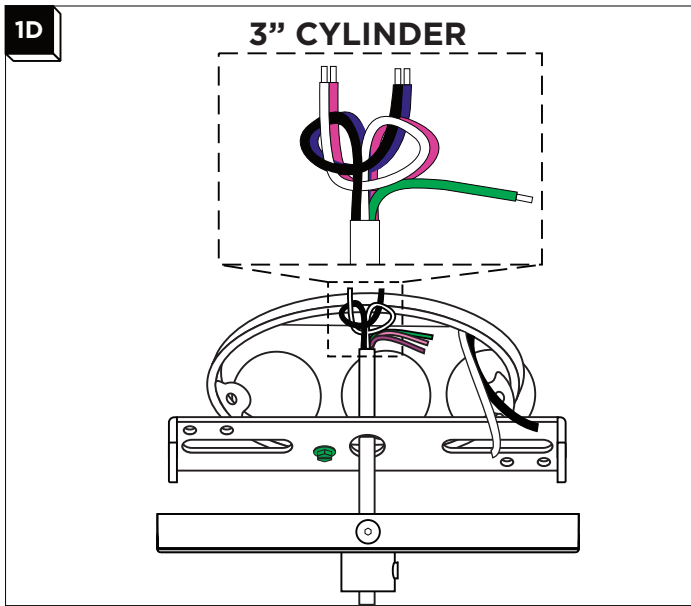
CAUTION - RISK OF FIRE
 This product must be installed in accordance with the applicable installation code by a person familiar with the construction and operation of the product and the hazards involved.
Use minimum 90°C supply conductors.



NOTE: Secondary strain relief installation only applies to 2" versions. 3" versions require a UL-approved knot (see following diagram).

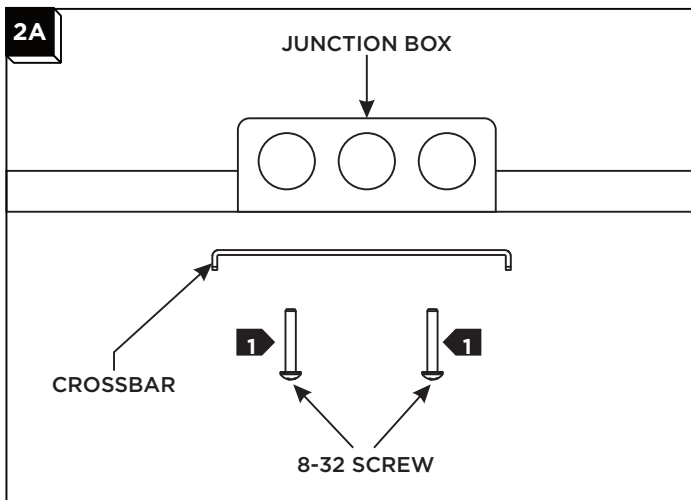
- 4 Remove the cloth and jacket on the cord where the secondary strain relief is to be installed. Expose at least 6" of wire.
- 5 Install the secondary strain relief, above the crossbar, by first feeding the power cord through it.
- 6 Snap the strain relief tab into place.
- 7 Pull the cord to take up the slack and fit the rest of the cord in the strain relief's openings.

Wiring the fixture (Internal Drivers)

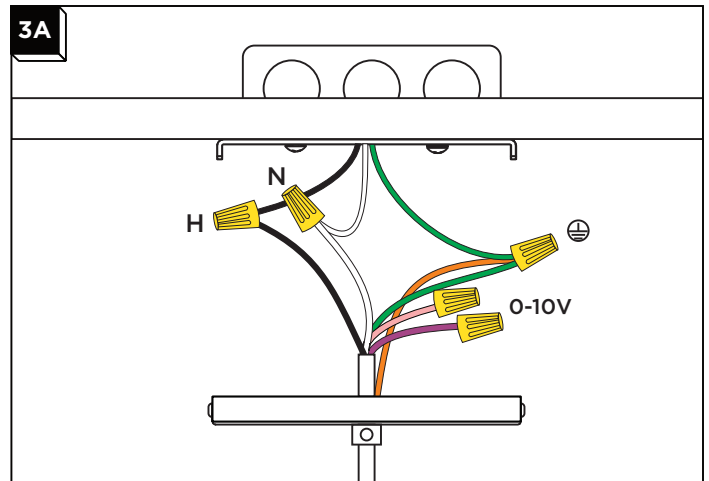


- 8 Remove the cloth and jacket on the cord where the UL-approved knot will be tied. Expose at least 6" of wire.
- 9 Tie a UL-approved knot above the cross bar using each set of wires pendant cord wires, one with the black and white and another with the purple and pink.

Install the Crossbar

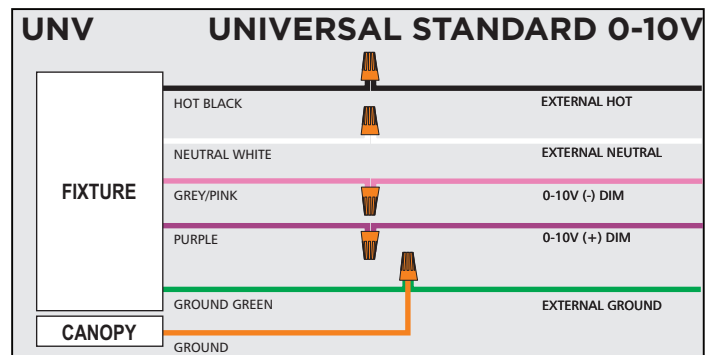


- 1 Mount the crossbar to the junction box with the provided #8-32 screws.

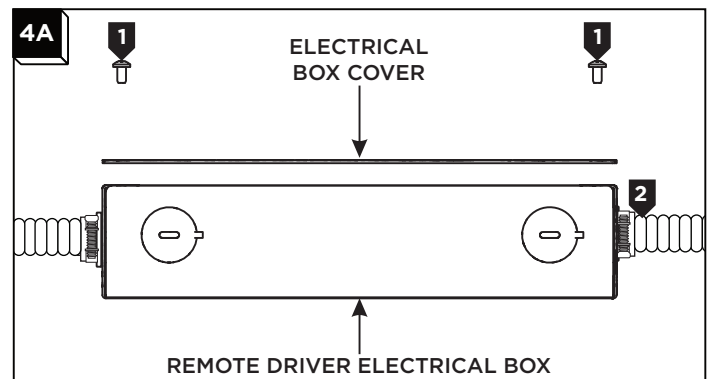


- 1 Use the following wiring diagram to wire your fixture.
- 2 Make sure to cap 0-10V dimming wires if not being used.

NOTE: Universal drivers for 2" cylinders are housed within the junction box.



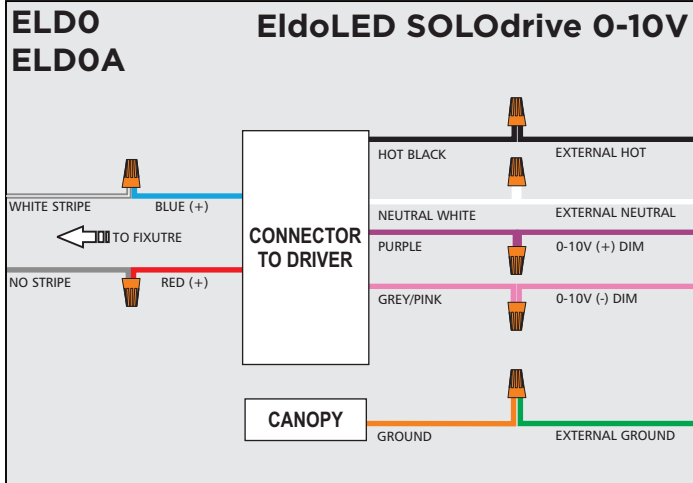
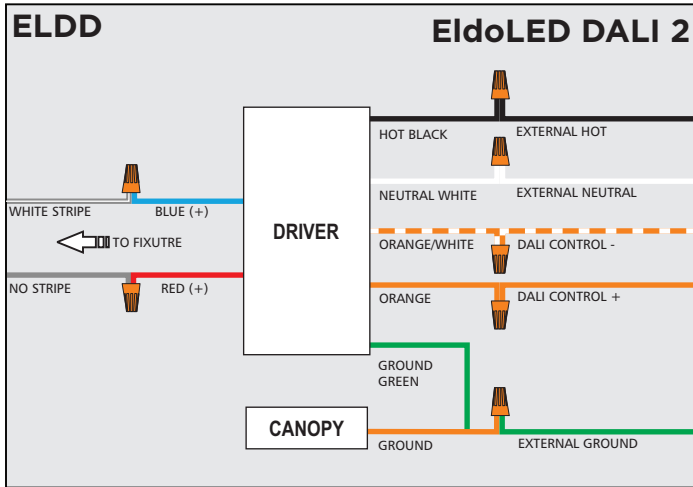
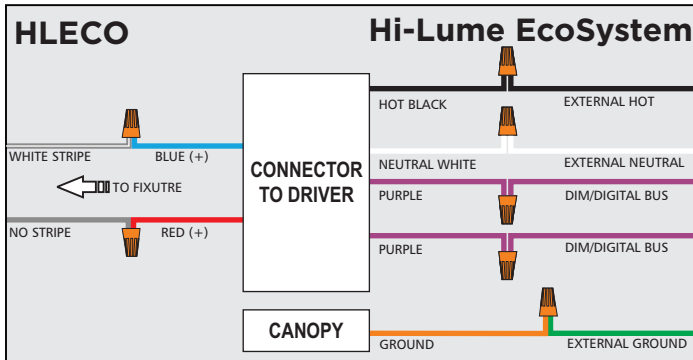
Connect Power to the Housing (Remote Drivers)



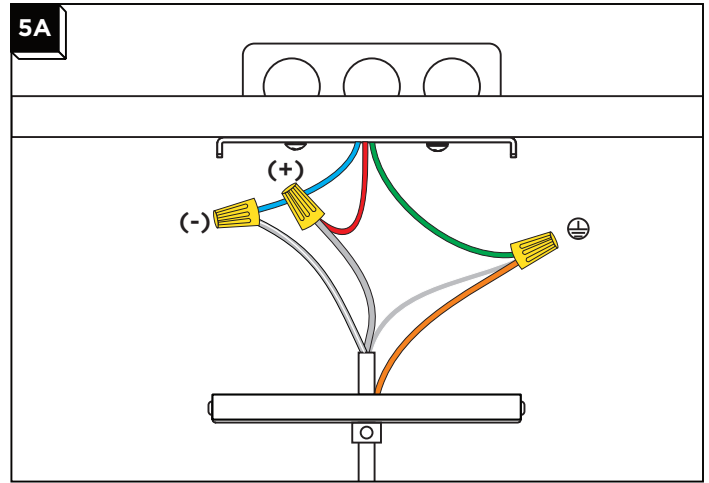
- 1 Open remote driver junction box by removing two screws.
- 2 Connect conduit or Romex to junction box with the proper fittings
- 3 Use the wiring diagrams to wire your fixture accordingly.

Wiring Diagrams (Remote Drivers)

WARNING: Do not connect wires from fixture to line voltage.

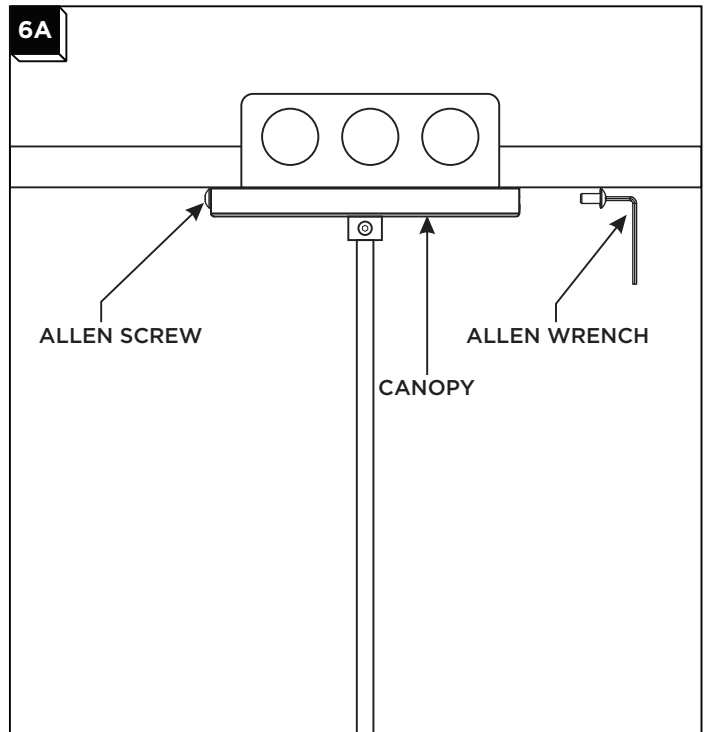


Wire the fixture (Remote Drivers)



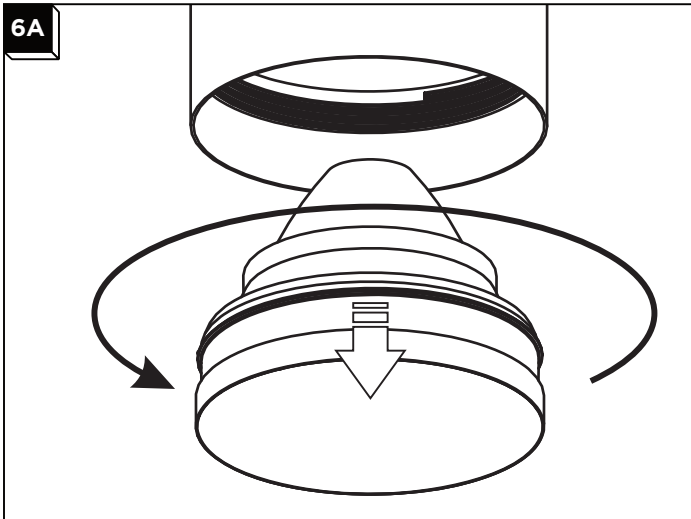
- 1 Strip the cord to expose the inner wires.
- 2 Connect the bare copper wire to the external ground wire with a wire nut.
- 3 Connected the striped wire (-) to the blue driver wire with a wire nut.
- 4 Connect the clear wire (+) to the red driver wire with a wire nut.

Install the Fixture



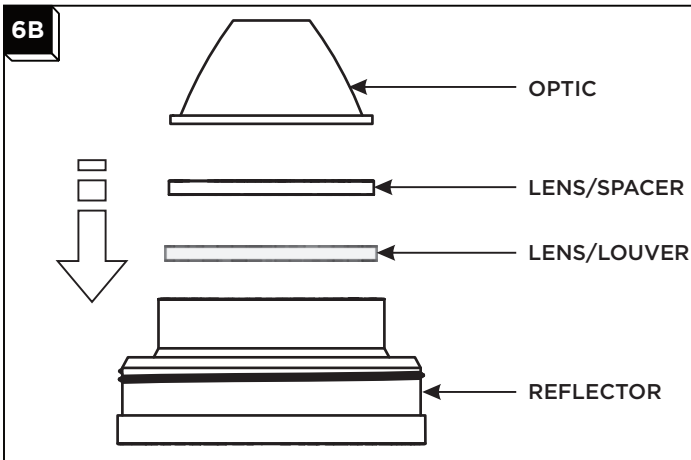
- 1 Neatly place all wires and wire nut connections inside the canopy.
- 2 Secure the canopy to the crossbar with the provided allen screws and allen wrench.

Install the Reflector Accessory



1 Remove the reflector by gripping the interior of the reflector and rotate counter-clockwise.

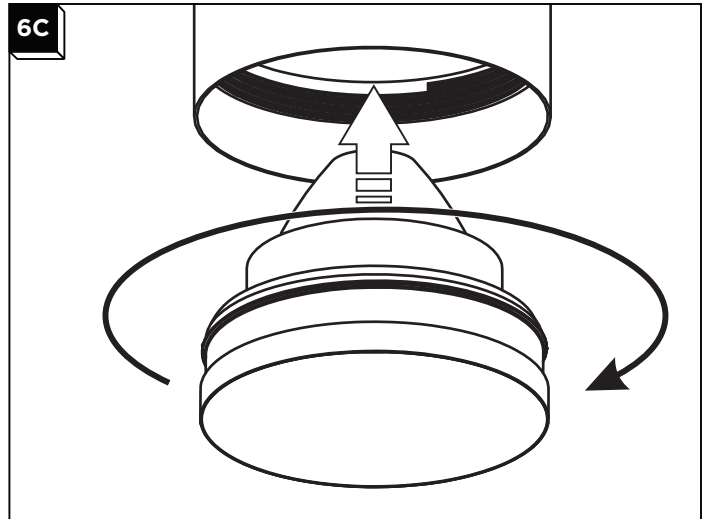
2 Save the optic and discard the reflector.



3 In the accessory reflector place the first lens or louver.

4 If only using one lens then place the spacer, else place the second lens.

5 Then rest the optic on top of the second lens or spacer.



6 Install the reflector by inserting it into the bottom of the Cylinder and screw it in as far as it will go.